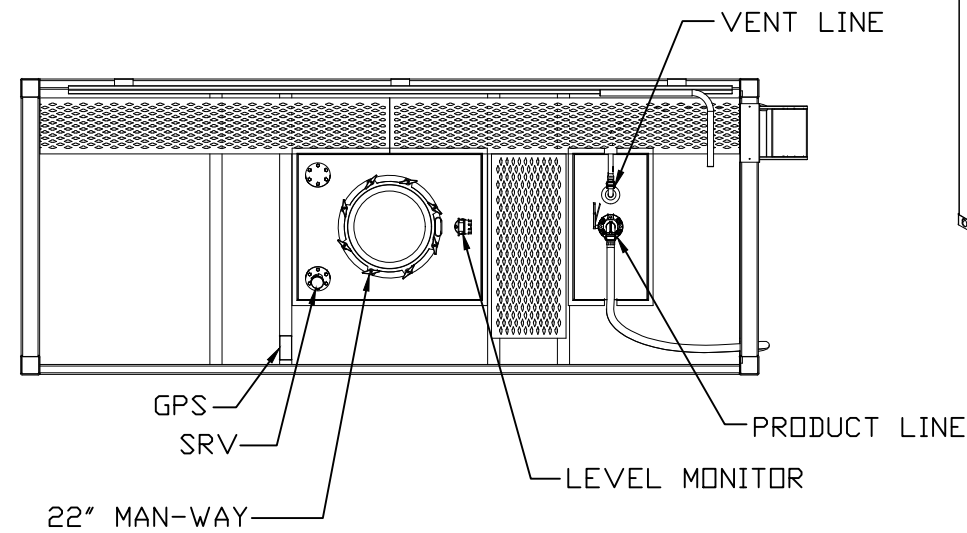
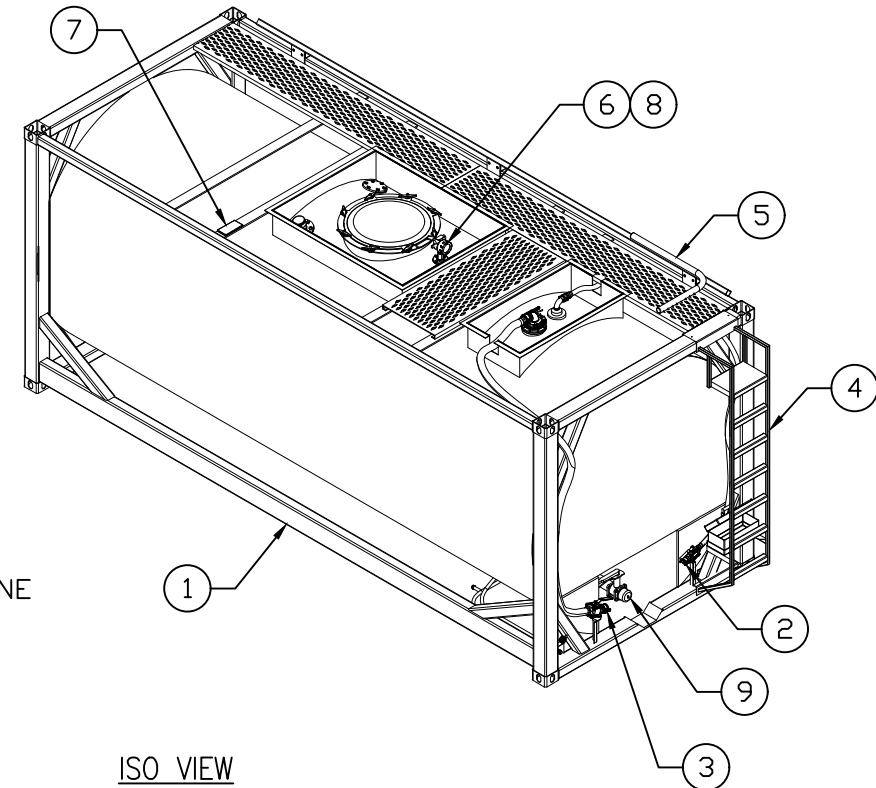


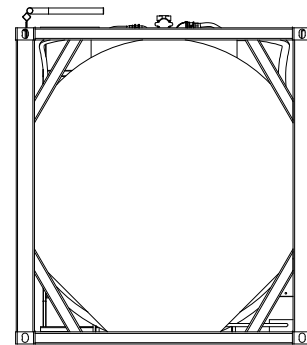
ISO VIEW



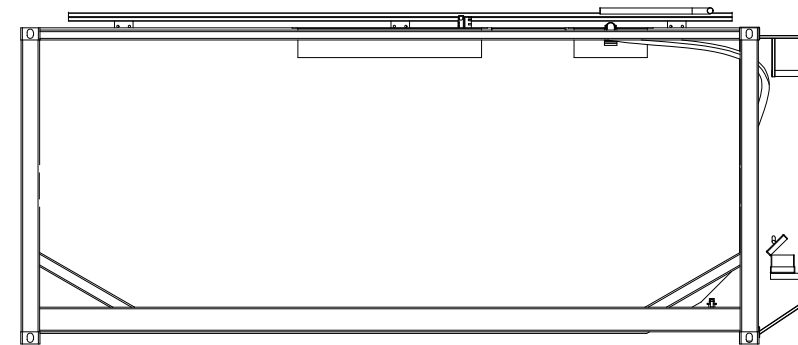
PLAN VIEW



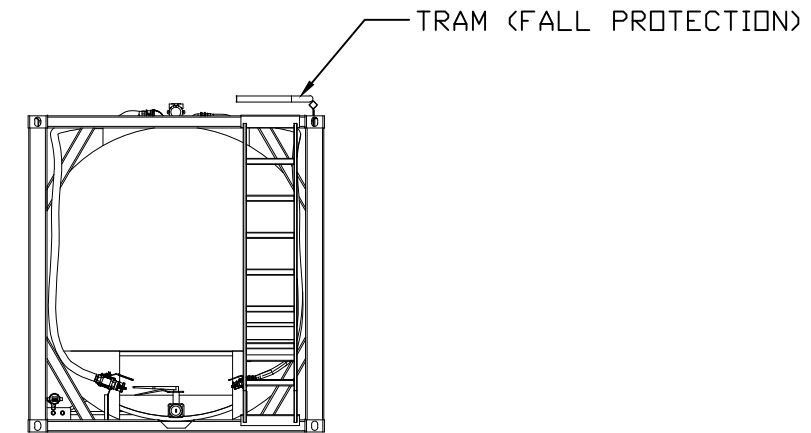
ISO VIEW



BACK VIEW



ELEVATION VIEW



FRONT VIEW

- NOTES:
- 1) ATTACH ALL HOOVER PARTS REQUIRED PER DWG.
  - 2) CHIP AND DEBURR ALL ROUGH EDGES.
  - 3) SPOT PAINT ALL AREAS NEEDED.
  - 3) QC CHECK BEFORE SHIPMENT.

ITEM	MATL.	DESCRIPTION	QTY.	PART NO.
9	SS304	REDUC SS316 BSP 3" TO 2" KIT FOR ISO FOOT VALVE	1	363191
8	SS316	FLG SS304/L 2" NPT 150# RF	1	344943
7	PLASTIC	GPS	1	363168
6	SS316	MAGNETOSTRICTIVE ASSY 95" 346348,346336,346301 APG	1	363086
5	SS304	ISO TRAM ASSY AND BRKT	1	363179
4	SS304	ISO VENDED LADDER ASSY	1	363231
3	SS/BLTH	2" PIPE DOWN MOD FILL ASSY. ISO TANK MOD (PRODUCT HOSE)	1	363175
2	SS/POLY	1.5" PIPE DOWN MOD FILL ASSY. ISO TANK MOD (VENT HOSE)	1	363176
1	CS/SS316	STANDARD ISO TANK MIN 6000 USG ISO-24,000L TANK	1	346036

**HOOVER CS**  
HOOPER CIRCULAR SOLUTIONS

This drawing is loaned without other consideration than the agreement and condition that it is not to be reproduced, copied, or otherwise disposed of directly or indirectly, and is not to be used in whole or in part to assist in making or to furnish any information for the making of drawings, prints, apparatus or parts thereof. The acceptance of this drawing will be construed as an acceptance of the foregoing conditions, and as an admission of the exclusive ownership of Hoover Circular Solutions in and to this drawing and the information displayed therein. Significant parts of the described items, are subject matter of issued patents or pending patent applications in the United States and principal foreign countries. Unless certified, this drawing and items shown on this drawing are subject to change at any time.

DRWNR	GEJ	3/26/2014	APPROVED
CHECKED	JTM	3/26/2014	CERTIFIED
HOOVER		NEXT ASSY	SCALE 1:30
HOOVER ISO STD TANK W/ VENDED LADDER		MATERIAL SS	DRAWING NO. 363240 REV.