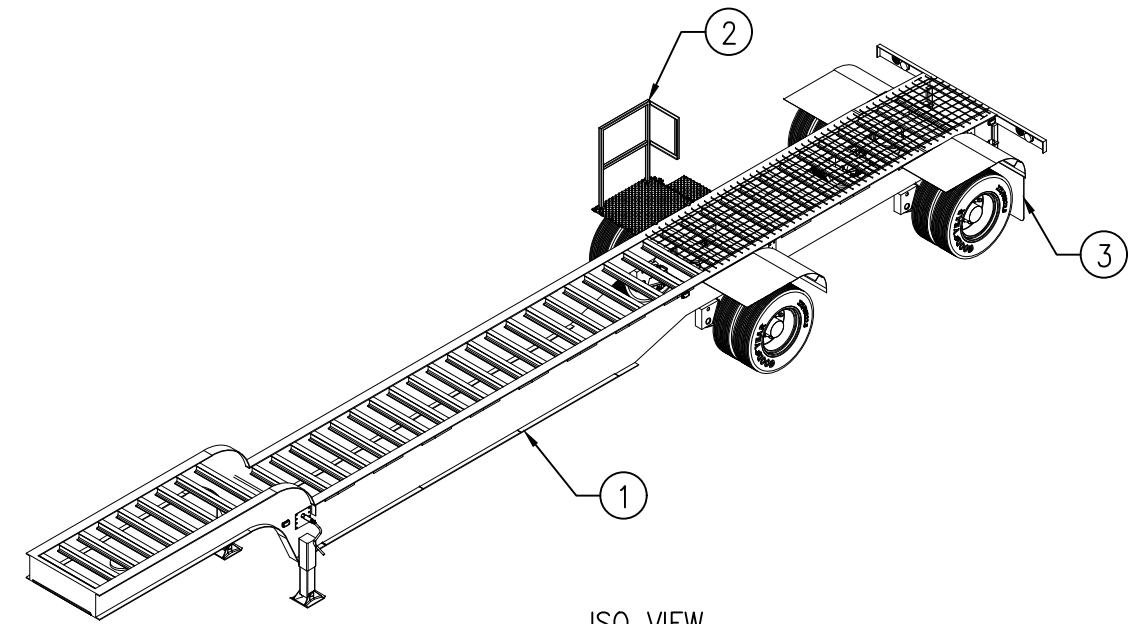
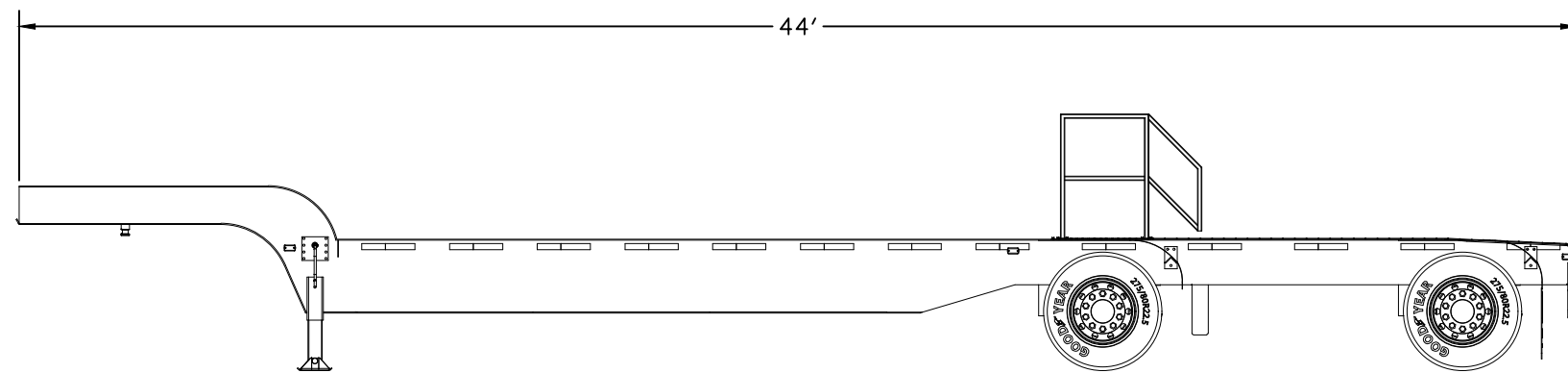


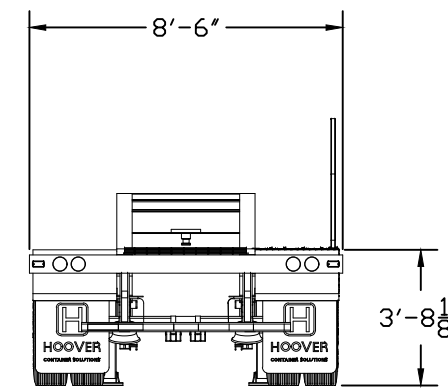
PLAN VIEW



ISO VIEW



ELEVATION VIEW



REAR ELEVATION VIEW

- NOTES:
- 1) ATTACH ALL HOOVER PARTS REQUIRED PER DWG.
 - 2) CHIP AND DEBURR ALL ROUGH EDGES.
 - 3) SPOT PAINT AS NEEDED.
 - 4) QC CHECK BEFORE SHIPMENT.

ITEM	MATL.	DESCRIPTION	QTY.	PART NO.
3	PLASTIC	MUD FLAP F/ISO TANK CHASSIS	2	346523
2	CS/SS	FENDER ASSY S F/ISO CHASSIS INCLUDES HANDRAIL	1	363152
1	CS	DROP DECK CHASSIS 44' ISO	1	346160

HOOVER CS
This drawing is issued without other consideration than the agreement and condition that it is not to be reproduced, copied, or otherwise disposed of directly or indirectly, and is not to be used in whole or in part to assist in making or to furnish any information for the making of drawings, prints, apparatus or parts thereof. The acceptance of this drawing will be construed as an acceptance of the foregoing conditions, and as an admission of the exclusive ownership of Hoover Circular Solutions in and to this drawing and the information displayed therein. Significant parts of the described items, are subject matter of issued patents or pending patent applications in the United States and principal foreign countries. Unless certified, this drawing and items shown on this drawing are subject to change at any time.

HOOVER	DRAWN	GEJ	2/26/2014	APPROVED	
	CHECKED	JTM	2/26/2014	CERTIFIED	
ISO CHASSIS HOOVER STANDARD MOD		MATERIAL	CS	DRAWING NO.	363181
				SCALE	1:30
				REV.	